

FMR Series

Manual Valve
Direct mounting type

$\frac{2}{3}$ position manual valve

FMR2402 (Lock)

4-port, 2-position (with lock)

FMR3402 (Lock)

4-port, 3-position,
closed center (with lock)



Rotational direction can be reversed with ease; position pinpointed with precision; excellent handling. Large effective area.

Lock-shape enhance safety by eliminating accidental collision-caused danger.

Specifications

Model No.	Unit	FRM24/34		
Port size		RC $\frac{1}{4}$	RC $\frac{3}{8}$	Rc $\frac{1}{2}$
Effective area	mm ²	17	20	23
Effective fluid		Air		
Operating ambient temperature	°C	-5~60		
Pressure range	MPa	0~1		
Weight	g	420		

Gentle Automatic Solution Sdn Bhd

36, Jalan Industri USJ1/13, Taman Perindustrian USJ 1, 47600 Subang Jaya, Selangor Darul Ehsan, Malaysia.

Tel : + 603 - 8023 7743 / + 603 - 8023 8743

Fax : + 603 - 8023 9743

Mobile Number : + 6012 - 273 8827 / + 6012 - 2206172 / + 6017 - 3397388

Email : sales@gentle.com.my / myfontal@gmail.com

Representation



FRM24: 2-position
FRM34: 3-position

① Bore

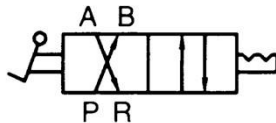
- 02: Rc $\frac{1}{4}$
- 03: Rc $\frac{3}{8}$
- 04: Rc $\frac{1}{2}$

② Locking device

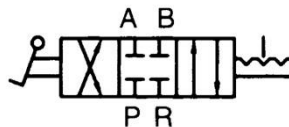
No label : Standard

JIS Label

4- port, 2-position (with lock)



4- port, 3-position,
closed center (with lock)



Lock: With locking device

Gentle Automatic Solution Sdn Bhd

36, Jalan Industri USJ1/13, Taman Perindustrian USJ 1, 47600 Subang Jaya, Selangor Darul Ehsan, Malaysia.

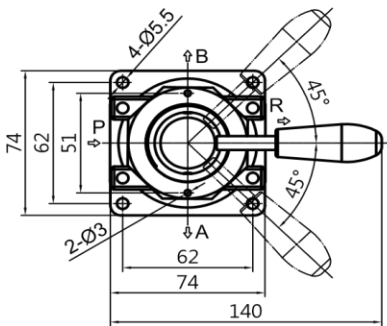
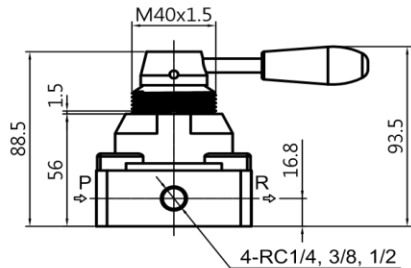
Tel : + 603 - 8023 7743 / + 603 - 8023 8743

Fax : + 603 - 8023 9743

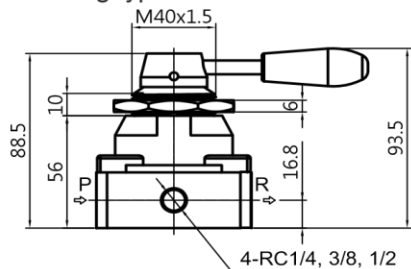
Mobile Number : + 6012 - 273 8827 / + 6012 - 2206172 / + 6017 - 3397388

Email : sales@gentle.com.my / myfontal@gmail.com

Valve mounting type

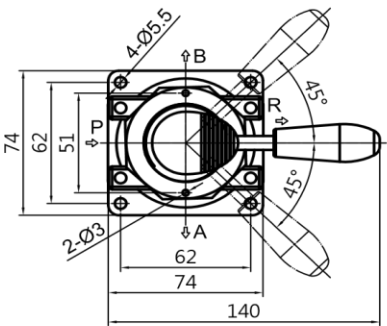
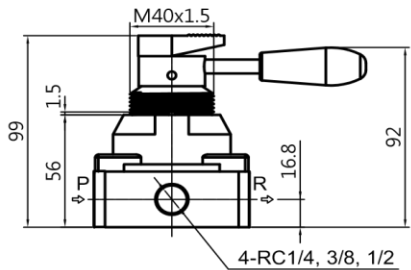


Panel mounting type

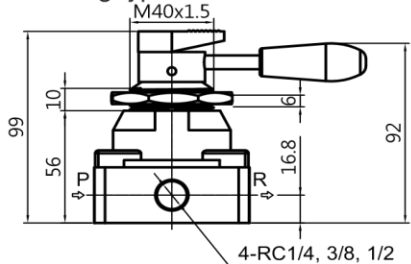


FMR24/34 - LOCK

Valve mounting type



Panel mounting type



Gentle Automatic Solution Sdn Bhd

36, Jalan Industri USJ1/13, Taman Perindustrian USJ 1, 47600 Subang Jaya, Selangor Darul Ehsan, Malaysia.

Tel : + 603 - 8023 7743 / + 603 - 8023 8743

Fax : + 603 - 8023 9743

Mobile Number : + 6012 - 273 8827 / + 6012 - 2206172 / + 6017 - 3397388

Email : sales@gentle.com.my / myfontal@gmail.com